



# GLASS DOOR CONTROL

GD  
CL4000

CL4000GD is designed for use on internal glass doors, and will easily fit new installations or can be quickly retro fitted.

The CL4000GD is a medium-duty electronic patch door lock offering all the functions of the CL4000. Suitable for inswing doors, the lock fits existing Rondo type glass door preparations. As standard the CL4000GD is supplied with a flat strike plate for fitting to solid door frames. When fitting to a glass door with a glass side panel you will need to buy the patch strike box.

## FEATURES

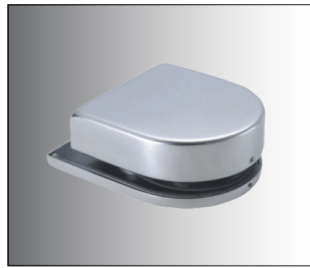
- Allows up to 80 User Codes 4, 5 or 6 digits long
- On door programming
- Two options available
- Allows up to 10 one-time User Codes to be entered
- Locked and unlocked LED indicator option
- PVD low maintenance finish
- 140,000 operations from 4 x 'N' cells (supplied)
- Lever handle supplied as either right or left hand
- Suitable for inswinging doors only
- Suitable for internal use
- Two year guarantee\*



**CL4000GD**

**Electronic Patch Door Lock**

Medium-duty stainless steel latchbolt head with 8mm (5/16") follower. Outside lever turns freely without operating the latchbolt. When a valid code is entered and the Blue LED lights up, the lever will retract the latchbolt. When the door closes the spring latch will automatically lock the door. The key will open the door for management functions. The key may be used to set the lock into Code Free mode so that anyone can open the door without using a code (classroom function). Code Free mode can also be programmed at the keypad using the Master Code.



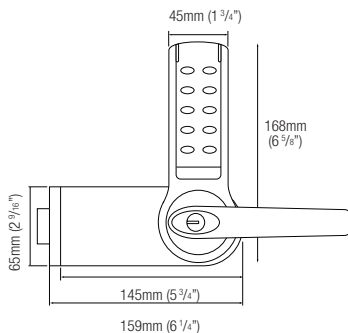
**Strike Box**

Sold separately. As standard the CL4000GD is supplied with a flat strike plate for fitting to solid door frames. When fitting to a glass door with a glass side panel you will need to buy the patch strike box. This is available to purchase as a separate spare product.

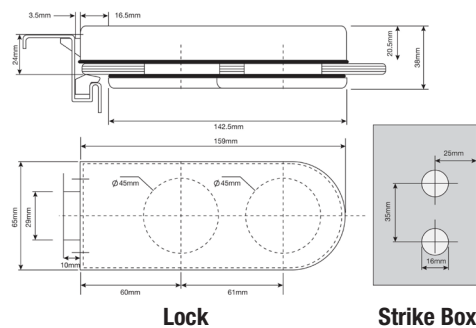
For further product model options see price list.

**PRODUCT DIMENSIONS**

**CL4000GD**



**Electronic Patch Door Lock with Patch Strike Template**

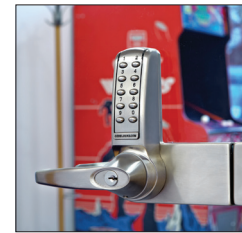


\*Codelocks electronic locks offer a two year guarantee and will be repaired, serviced or replaced free of charge if they develop a manufacturing fault. Faults caused by misuse, abuse and/or poor fitting are not covered by the guarantees.



**Code Change Method**

Keypad operations with Master Code



**Code Free Mode**

Set via keypad using Master Code

**TECHNICAL SPECIFICATIONS**

Options	Two available
Operations	140,000 per set of batteries
Batteries	4 x 'N' Cells
Low Battery Warning	Red LED will flash on opening to indicate batteries need to be changed
Memory	Stores 80 different User Codes
Spindle Type	8mm (5/16") spindle
Material	Zinc Alloy
Door Thickness	8mm – 15mm (5/16" – 10/16")
Buttons	Individual stainless steel buttons
Handed	Lever handle supplied as either right hand (RH) or left hand (LH) versions, inswing doors only
Fitting Options	Vertical
Finish	PVD (Physical Vapour Deposition) hardwearing low maintenance finishes BS (brushed steel)
Keyed Alike	Supplied Keyed Alike on request
Key Override	As standard
Codes	4, 5 or 6 digit codes giving a maximum of 1,000,000 unique codes
Storeroom Function	Fitted as standard i.e. latch can be retracted by key when turned
Classroom Function	Tailpiece supplied to allow (when fitted) lock to be left in Code Free Mode when key is removed
Suitable for	Internal use